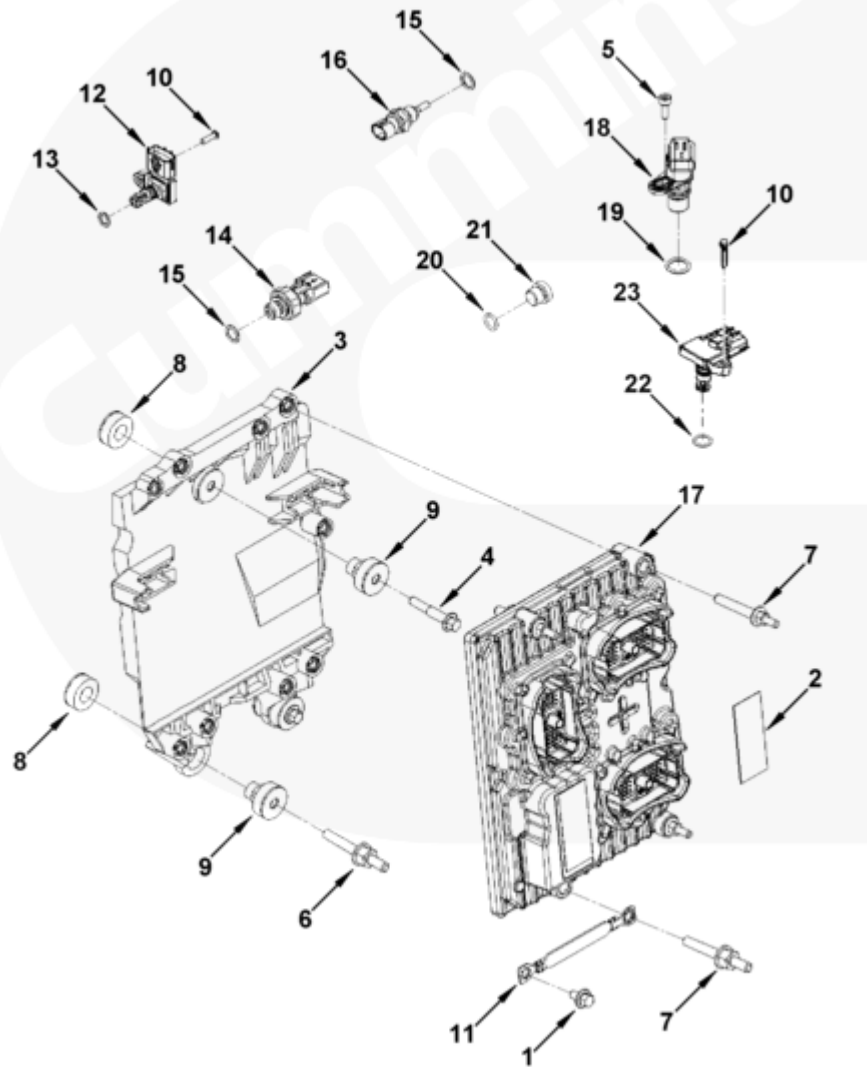




Parts Catalog - Option Detail

Electronic Parts Catalog - Option Detail				
Option	Group	Graphic	Film Card	Date
PH9386-03	05.06.1	ph970gh	T	24-JUN-13
Engines	4B3.9, 6A3.4, 6B5.9, B GAS INTERNATIONAL CM556, B4.5, B4.5 CM2350 B129B, B4.5 CM2350 B146C, B4.5 CM2350 B147B, B4.5 RGT, B4.5S, B5.9 G, B5.9 GAS PLUS CM556, B5.9 LPG, B5.9 LPG PLUS CM556, B6.7 CM2350 B121B, B6.7 CM2350 B135B, B6.7 CM2350 B136C, B6.7 CM2350 B148B, B6.7 G CMOH6.0 B125, B6.7N CM2380 B150B, B6.7S, F3.8 CM2350 F120B, F3.8 CM2350 F128C, F3.8 CM2350 F132B, F3.8 F102, G3.9, G5.9, G5.9 CM558, ISB (CHRYSLER), ISB CM2150, ISB CM2150 E, ISB CM550, ISB CM850, ISB/ISD4.5 CM2150 B119, ISB/ISD4.5 CM2150 SN, ISB/ISD6.7 CM2150 B120, ISB/ISD6.7 CM2150 SN, ISB/ISD6.7 CM2880 B126, ISB3.9 CM2220 B107, ISB4.5 CM2150, ISB5.9G CM2180, ISB6.7 2010 DCX PICKUP, ISB6.7 2013 DCX CHASSIS CAB, ISB6.7 CM2150 SQ, ISB6.7 CM2250, ISB6.7 CM2350 B101, ISB6.7 CM2350 B103, ISB6.7 CM2350 B142, ISB6.7 CM2670 B153B, ISB6.7 G CM2180 B118, ISBE CM2150, ISBE CM800, ISBE2/ISBE3 CM850, ISBE4 CM850, ISD4.5 CM2150, ISD6.7 CM2880 D101, ISF2.8 CM2220, ISF2.8 CM2220 AN, ISF2.8 CM2220 EC, ISF2.8 CM2220 ECF2, ISF2.8 CM2220 F101, ISF2.8 CM2220 F117, ISF2.8 CM2220 F122, ISF2.8 CM2220 F126, ISF2.8 CM2220 F129, ISF2.8 CM2220 IAN, ISF3.8 CM2220, ISF3.8 CM2220 AN, ISF3.8 CM2220 F103, ISF3.8 CM2220 F110, ISF3.8 CM2220 F116, ISF3.8 CM2220 F134B, ISF3.8 CM2220 IAN, ISF3.8 CM2350 F109, ISF4.5 CM2220 F123, ISG11 CM2880 G106, ISG11 CM2880 G108, ISG12 CM2880 G107, ISG12 CM2880 G109, ISG12 G CMOH6.0 G111, QSB3.9 30 CM550, QSB3.9 CM2880 B138, QSB4.5 30 CM550, QSB4.5 CM2150 B108, QSB4.5 CM2250 B131, QSB4.5 CM2250 EC, QSB4.5 CM2350 B106, QSB4.5 CM2350 B122			



ph970gh

SMALL | MEDIUM | LARGE

Cart	Ref No	Part Number	Part Description	Required	Remarks
View My Cart					
		PH9386-03	Engine Control Module		Engine Control Module...(More)
					Comment: BDB
					ECM Version: CM2250
					Module Location (mm): 11.5
					Ambient Air Pressure Sensor
					Included: Yes
					Intake Manifold Temperature
					Sensor Manufacturer: Siemens
					Manufacturer of Record:

					Cummins
					Intake Manifold Pressure
					Sensor: Absolute
					ECM Hardware Level: PV
					T-BAP Sensor: Included With
					Engine
<input type="checkbox"/>	1	3093956	Hexagon Flange Head Cap Screw	1	M8 X 1.25 X 12.
	2	5264022	Dataplate	1	
<input type="checkbox"/>	3	5253177	Electronic Control Module Bracket	1	
<input type="checkbox"/>	4	3901445	Hexagon Flange Head Cap Screw	2	M8 x 1.25 x 45
<input type="checkbox"/>	5	3906391	Socket Head Cap Screw	2	M6 X 1.00 X 16.
<input type="checkbox"/>	6	5271574	Studded Flange Cap Screw	1	M8 X 1.25 X 20;M8 X 1.25 X 45
<input type="checkbox"/>	7	3944816	Studded Flange Cap Screw	4	M8 X 1.25 X 50
<input type="checkbox"/>	8	3955219	Vibration Isolator	3	
<input type="checkbox"/>	9	3955220	Vibration Isolator	3	
<input type="checkbox"/>	10	3957849	Socket Head Cap Screw	2	M4 X 0.7 X 16.
<input type="checkbox"/>	11	5273860	Ground Wire	1	
<input type="checkbox"/>	12	2872784	Pressure Temperature Sensor	1	Intake Manifold.
<input type="checkbox"/>	13	4903482	O-Ring Seal	1	
<input type="checkbox"/>	14	4921517	Pressure Sensor	1	Oil.
<input type="checkbox"/>	15	4010519	O-Ring Seal	1	
<input type="checkbox"/>	16	4954905	Temperature Sensor	1	Coolant Or Fuel Or Oil.
<input type="checkbox"/>	15	4010519	O-Ring Seal	1	
<input type="checkbox"/>		4993121	Electronic Control Module	1	
<input type="checkbox"/>	17	4993120	Electronic Control Module	1	
<input type="checkbox"/>	18	2872277	Position Sensor	2	Cam Or Crank.
<input type="checkbox"/>	19	4928599	O-Ring Seal	1	
<input type="checkbox"/>		3678921	Threaded Plug	1	M14 X 1.5 X 16
<input type="checkbox"/>	20	3678912	O-Ring Seal	1	M14

	21	3678922	Threaded Plug	1	M14 X 1.5 X 16
<input type="checkbox"/>		4921850	Pressure Temperature Sensor	1	Ambient Air.
<input type="checkbox"/>	22	4076420	O-Ring Seal	1	
	23	4928395	Pressure Temperature Sensor	1	

© 2019 Cummins Inc., Box 3005, Columbus, IN 47202-3005 U.S.A.
Terms of Use and Disclaimers | Recommended System Requirements
Need Assistance? Please click on the Contact Us button in the top right corner of any page.